

GIE PIC16 Series Mini Kit

User Manual

Content

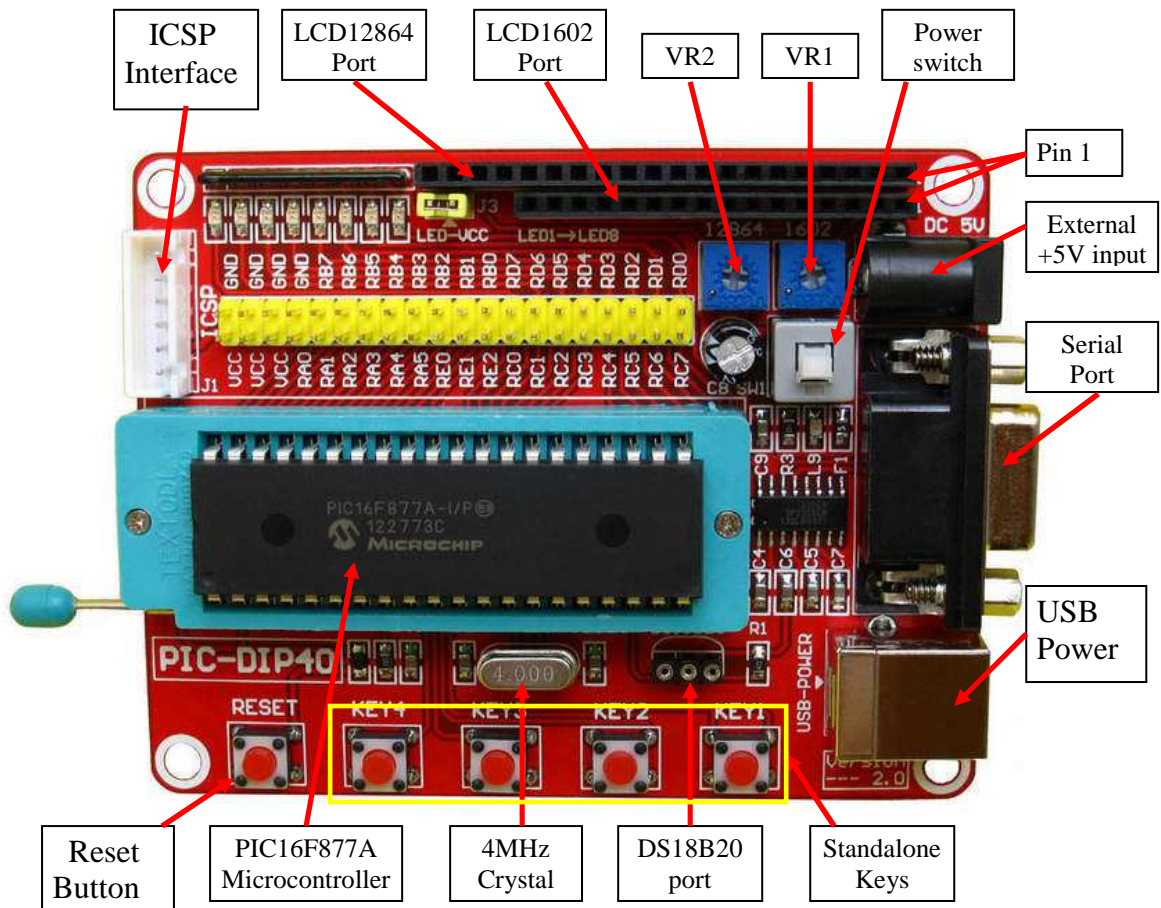
Features	3
Function Block.....	3
Development Setup (Hardware)	4
Jumper selection.....	5
Required Software	5
Install MPLAB.....	5
Install PICC.....	5
PIC16 IC Programming Software using K150 (Optional) – Microbrn.....	6
Kit Contents	6
Warranty	6

PIC16 Mini Kit

1. Features

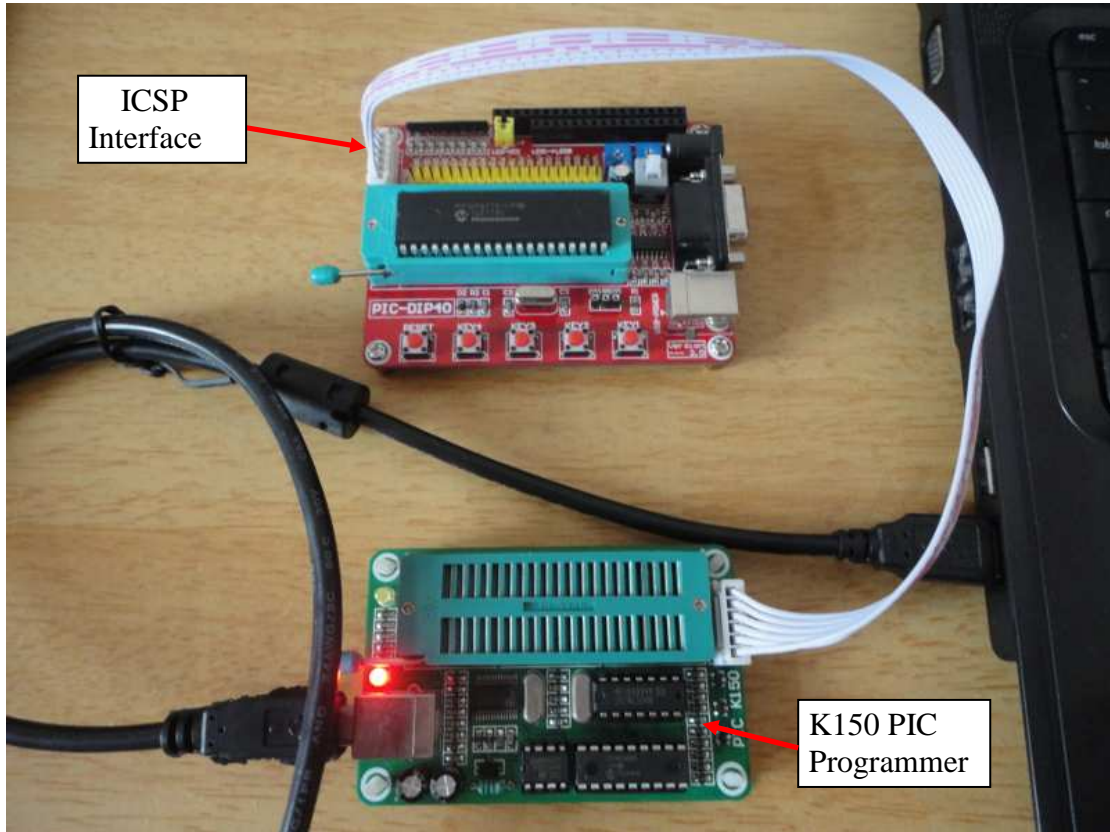
- a.) Default processor is PIC16F877A-I/P.
- b.) Operating voltage: +5V, it can supply from USB port or external +5V adapter.
- c.) Default crystal is 4MHz, it can be changed easily.
- d.) All I/O are available through header.

2. Function Block

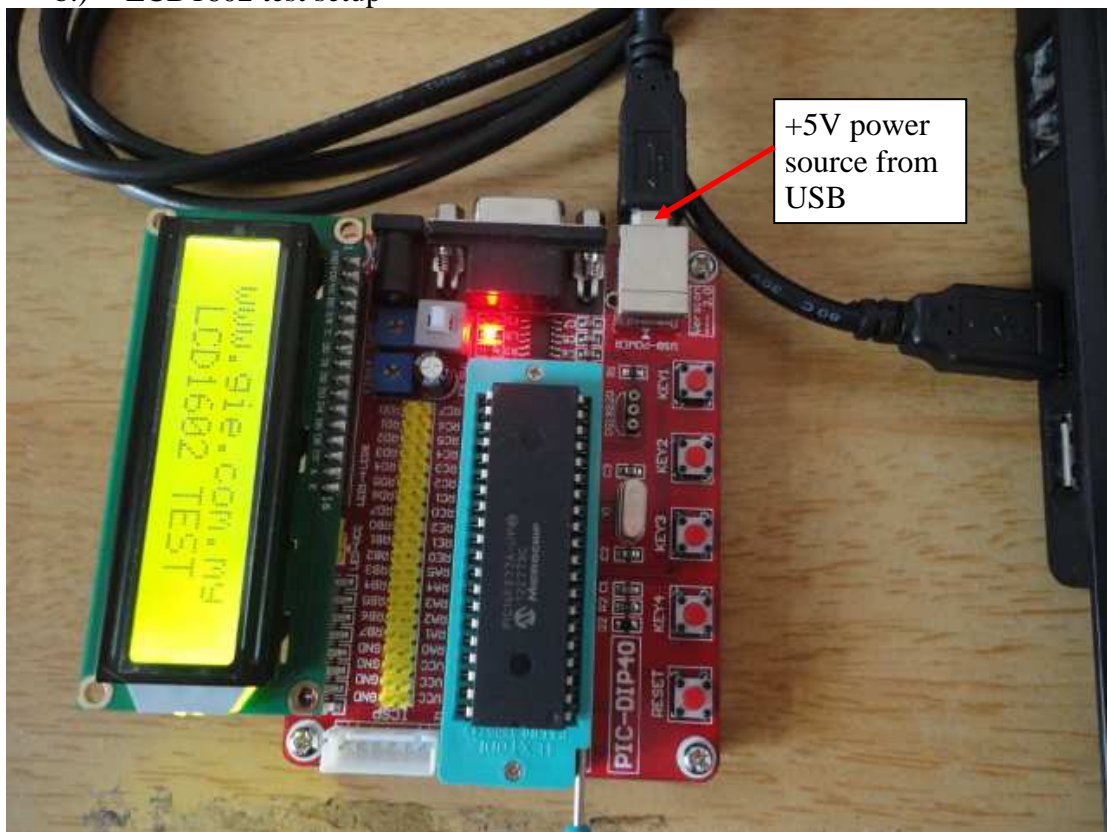


3. **Development Setup (Hardware)**

- a.) Download firmware by using K150 PIC programmer through ICSP interface. (Optional)



- b.) LCD1602 test setup



4. Jumper selection

Jumper	Function Description
J3(LED-VCC)	For 8 LEDs

- a.) When using LED, please install J3(LED-VCC).
- b.) When using LCD1602/LCD12864, if found no display on LCD, please adjust variable resistor at VR1 for LCD1602, VR2 for LCD12864.
- c.) Please remove LCD12864 while downloading code to PIC through ICSP interface.

5. Required Software

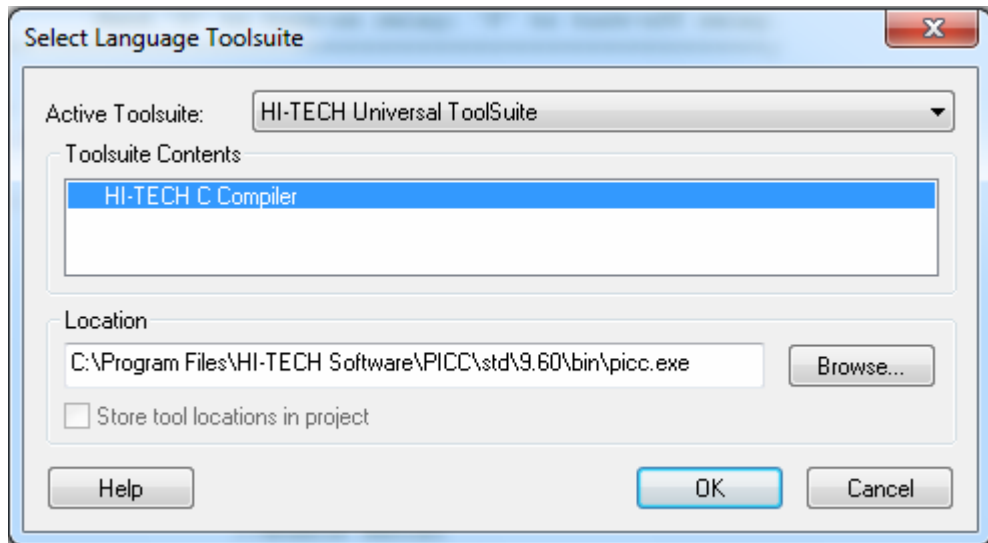
- a.) Install MPLAB
 Run xxx\PIC16 Mini Kit\4 – Development software\MPLAB\setup.exe.
- b.) Install PICC.
 - i) Run xxx\PIC16 Mini Kit\4 – Development software\PICC\picc-demo.exe.
 - ii) Select “Activate demo with 45 day evaluation licence” then click next.



- iii) Follow the instructions to complete the installation.



- iv) After installation completed, set the Language Toolsuite at MPLAB. (Run MPLAB, load any one of the project from the xxx\PIC Mini Kit\5 – Sample Codes\, then select Menu → Project → Select Language Toolsuite)



- c.) PIC16 IC Programming Software using K150 (Optional) – Microbrn
This software not require to install, it located at xxx\PIC16 Mini Kit\3 – Programming Software And Tools\PIC K150\Write\K150\microbrn.exe. (refer to K150 User Manual (English).pdf)

6. Kit Contents

- a.) Mini Board x1
- b.) Jumper wires x1
- c.) Standoff x4
- d.) USB cable x1

7. Warranty

- a.) Product warranty is valid for 6 months.
- b.) Warranty is only applies to manufacturing defect.
- c.) Damage caused by improper use is not cover under warranty.
- d.) Warranty does not cover freight cost for both ways.